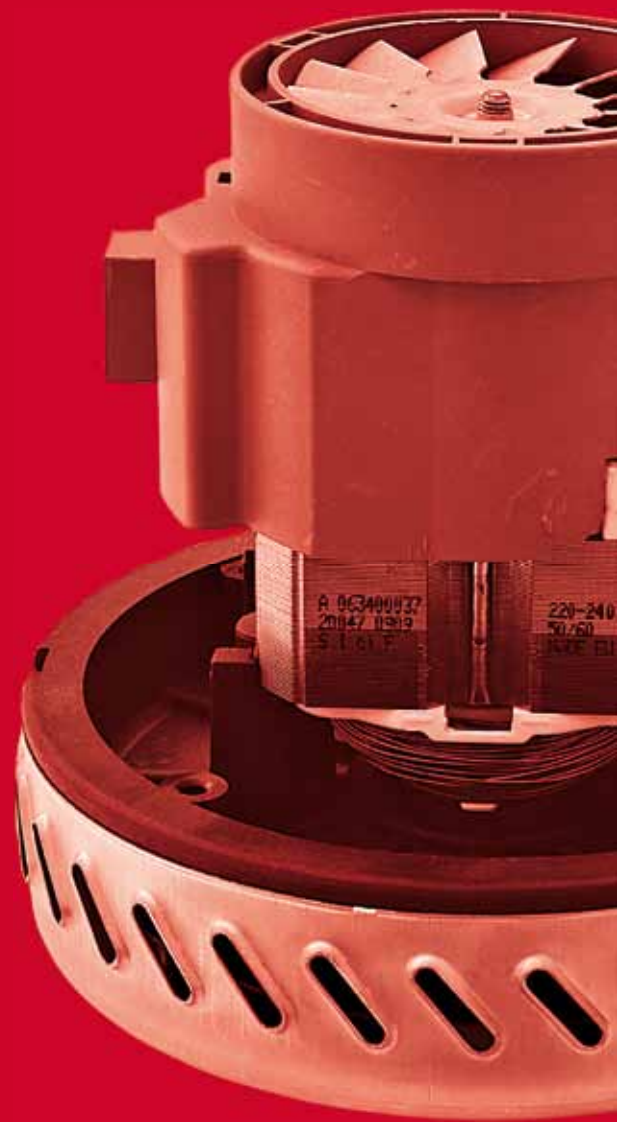


clubdeiriparatori

The winning solution to manufacture and repair all kinds of pressure washers



Copyright ©2011 Idrobase. All rights reserved.

IDROBASE®
PASSION FOR WATER



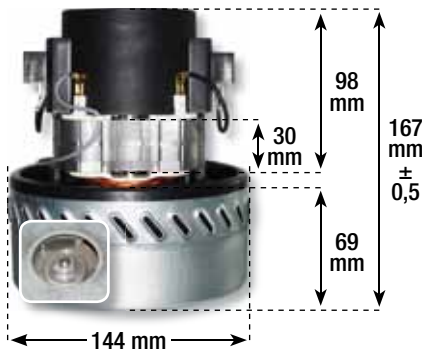
<i>Subject</i>		<i>Page</i>
Cleaning machines / Vacuum cleaners:	• <i>BY-PASS vacuum motors</i>	310
	• <i>TANGENTIAL BY-PASS vacuum motors</i>	311
	• <i>THRU-FLOW vacuum motors</i>	311
	• <i>Flexible hoses and tool adapters</i>	312
	• <i>Accessories for flexible hose ø32/33 mm-1.26"</i>	313
	• <i>Accessories for flexible hose ø38 mm-1.50"</i>	314
	• <i>Accessories for flexible hose ø50 mm-1.97"</i>	314
	• <i>Nozzle multi-function 300 mm-11.82", ø32-1.26" and 400 mm-15.76" ø38-1.50"</i>	315
Cleaning machines / Carpet cleaners:	• <i>Carpet cleaner accessories</i>	316
Cleaning machines / Scrubber driers:	• <i>Scrubber driers flexible hose</i>	316
	• <i>Discs</i>	317
	• <i>Dolly squeegees fitting Comac</i>	318
	• <i>Dolly squeegees fitting Floor</i>	318
	• <i>Dolly squeegees fitting Fimap</i>	319
	• <i>Dolly squeegees fitting Tennant</i>	319
	• <i>Dolly squeegees fitting Gansow</i>	320
	• <i>Dolly squeegees fitting Nilfisk-Advance</i>	320
	• <i>Dolly squeegees fitting Cleanfix</i>	321
• <i>Dolly squeegees fitting Hako</i>	321	

Cleaning machines / Vacuum cleaners

• BY-PASS vacuum motors

CDR.1210

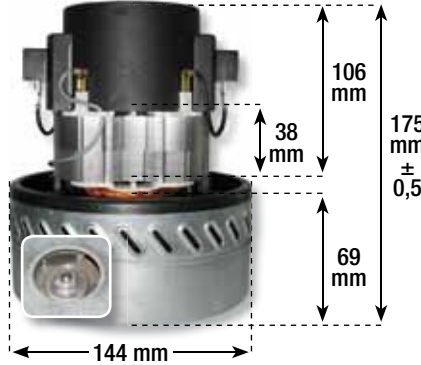
1000 W, 230 V, 50-60 Hz
Wet & dry



Motors suitable for wet and dry vacuum cleaners, and mainly for vacuums fitting *Elsea, Lavor, Soteco and Tron*

CDR.1211

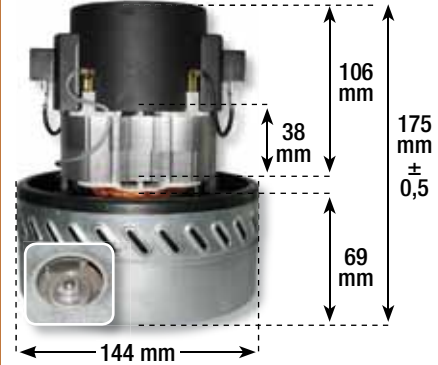
1000 W, 230 V, 50-60 Hz
Wet & dry



Motors suitable for wet and dry vacuum cleaners, and mainly for vacuums fitting *Delfin, Depureco, Elsea, Fiorentini, Ghibli and Soteco.*

CDR.1212

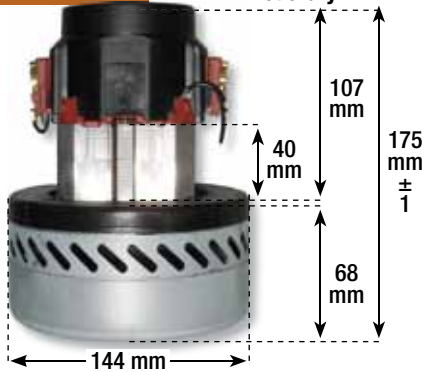
1200 W, 230 V, 50-60 Hz
Wet & dry



Motors suitable for wet and dry vacuum cleaners, and mainly for vacuums fitting *Delfin, Depureco, Elsea, Fiorentini, Ghibli and Soteco.*

CDR.1029

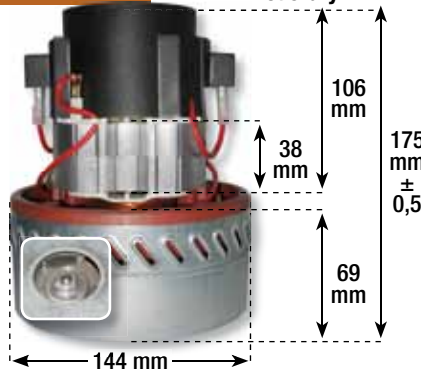
1000 W, 110 V, 50-60 Hz
Wet & dry



Motors suitable for wet and dry vacuum cleaners.

CDR.1213

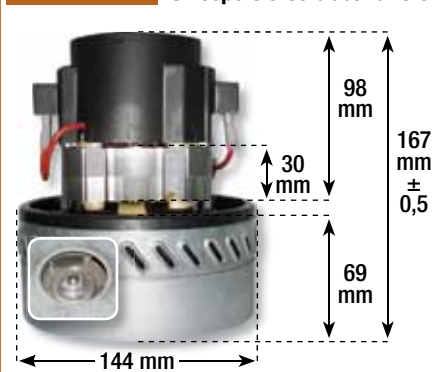
1000 W, 120 V, 50-60 Hz
Wet & dry



Motors UL-CSA certificated, suitable for wet and dry USA and Canadian market and mainly for vacuums fitting *Soteco and Tennant.*

CDR.1218

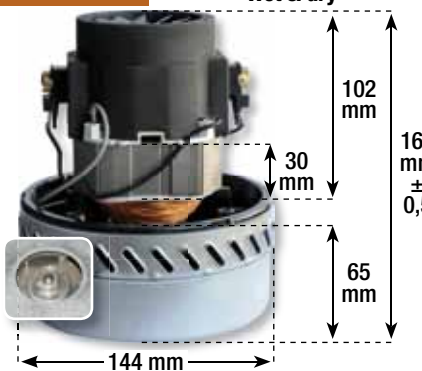
24 V
Sweepers & scrubber driers



Motors suitable for sweepers and scrubber driers mainly for those fitting *Comac, Delfin, Fiorentini, Fixnet and Soteco.*

CDR.1254

1000 W, 230 V, 50-60 Hz
Wet & dry



Motors suitable for wet and dry vacuum cleaners fitting *Kärcher.*

CDR.1240

1000 W, 230 V, 50-60 Hz
Dry



Motors 1 stage suitable for dry only vacuum cleaners fitting *Kärcher.*

CDR.1353

1100 W, 230 V, 50-60 Hz
Wet & dry



Motors 1 stage suitable for dry only vacuum cleaners fitting *Soteco.*

Code	Class	Stages	Volts	Watts max	Watts min	Water lift mm H ₂ O	Airflow l / sec.	Rpm open	Rpm sealed	Weight
CDR.1210	II	2	230	1100	750	2300	54	19000	24000	gr. 2000 oz. 70.6
CDR.1211	II	2	230	1100	750	2350	54	19000	24000	gr. 2200 oz. 77.7
CDR.1212	II	2	230	1250	800	2600	57	20000	25000	gr. 2050 oz. 72.4
CDR.1029	II	2	110	1000		2230	57			gr. 2450 oz. 86.5
CDR.1213	I	2	120	1100	750	750	50	18000	23000	gr. 2250 oz. 79.5
CDR.1218	I	2	24	450	300	1250	38	14000	16500	gr. 2050 oz. 72.4
CDR.1254	II	2	230	1100	768	2590	43	20200	25850	gr. 2500 oz. 87.7
CDR.1240	II	1	230	1280	750	1836	60	24500	29800	gr. 1460 oz. 51.1
CDR.1353	II	1	230	1170		1928	63	23800	30500	gr. 1500 oz. 53.0

Cleaning machines / Vacuum cleaners

- **TANGENTIAL BY-PASS vacuum motors**

CDR.1214 1000 W, 230 V, 50-60 Hz
Wet & dry

Motors suitable for wet and dry vacuum cleaners, and mainly for vacuums fitting **Artec, Drainvac, Netco, Rupes and Soteco**.

CDR.1215 1100 W, 230 V, 50-60 Hz
Wet & dry

Motors suitable for wet and dry vacuum cleaners, and mainly for vacuums fitting **Netco, Jonny Vac, Soteco and Weber**.

CDR.1219 24 V
Sweepers & scrubber driers

Motors suitable for sweepers and scrubber driers mainly for those fitting **Columbus, Nilfisk, Omm, Qualtex and Soteco**.

Code	Class	Stages	Volts	Watts max	Watts min	Water lift mm H ₂ O	Airflow l / sec.	Rpm open	Rpm sealed	Weight
CDR.1214	II	2	230	1100	700	2150	48	17500	23000	gr. 2000 oz. 70.6
CDR.1215	II	2	230	1150	750	2350	48	19000	24000	gr. 2250 oz. 79.5
CDR.1219	I	2	24	450	300	1250	35	13500	16000	gr. 2100 oz. 74.2

CDR.1222 gr. 15 / oz. 0.6
Carbon brush
for vacuum motors 230 V

CDR.1223 gr. 15 / oz. 0.6
Carbon brush
for vacuum motors 24 V

CDR.1224 gr. 15 / oz. 0.6
Carbon brush
for vacuum motors 120 V

ZX.0895 gr. 25 / oz. 0.9
Pair of carbon brushes
AUTO STOP for vacuum motors 230 V. Motor stops when it is time to change carbon brushes
Quantity 1x2

Cleaning machines / Vacuum cleaners

- **THRU-FLOW vacuum motors**

CDR.1216 900 W, 230 V, 50-60 Hz
Dry

Motors suitable for wet vacuum cleaners, and mainly for vacuums fitting **Fiorentini, Phoenix, Rtm and Soteco**.

CDR.1217 1200 W, 230 V, 50-60 Hz
Dry

Motors suitable for wet and dry vacuum cleaners, and mainly for vacuums fitting **Dixter, Fiorentini, Pulivax and Soteco**.

Code	Class	Stages	Volts	Watts max	Watts min	Water lift mm H ₂ O	Airflow l / sec.	Rpm open	Rpm sealed	Weight
CDR.1216	I	2	230	950	600	2100	49	17000	22000	gr. 2050 oz. 72.4
CDR.1217	I	2	230	1350	750	2550	56	20000	26000	gr. 2350 oz. 82.3

Cleaning machines / Vacuum cleaners

• Flexible hoses and tool adapters

Flexible hose



Flexible spiral hose made of unreinforced ethylene vinyl acetate. Resistant to permanent deformation and blackages.

Applications: suction and drawing of liquids.

Code	ø inlet	ø outlet	Q.ty	Weight
In roll				
a) CDR.1024	33 mm	36 mm	30 m	gr. 6300 oz. 222.4
<i>For accessories, tools and adapters see pages 313</i>				
b) CDR.1025	38 mm	45 mm	30 m	gr. 10800 oz. 381.3
<i>For accessories, tools and adapters see pages 314</i>				
c) CDR.1026	50 mm	58 mm	30 m	gr. 14400 oz. 508.4
<i>For accessories, tools and adapters see pages 314</i>				
With connections				
d) ZX.1004	38 mm	45 mm	2,5 m	gr. 1000 oz. 35.3
<i>Flexible spiral hose complete with sleeve with groove, fixed connections and semirigid tool adapter.</i>				
<i>For accessories, tools and adapters see pages 314</i>				
e) ZX.1007	33 mm	36 mm	4 m	gr. 950 oz. 54.4
<i>Flexible spiral hose complete with sleeve with groove, fixed connections and semirigid tool adapter.</i>				
<i>For accessories, tools and adapters see pages 313</i>				

CDR.1030 gr. 50 / oz. 1.8

Semirigid tool adapter,
for flexible hose,
internal ø32/33 mm
1.26"
(code CDR.1024)



minimum quantity
10 pcs

CDR.1031 gr. 50 / oz. 1.8

Semirigid tool adapter,
for flexible hose,
internal ø38 mm
1.50"
(code CDR.1025)



minimum quantity
10 pcs

CDR.1032 gr. 165 / oz. 5.9

Semirigid tool adapter,
for flexible hose,
internal ø50 mm
1.97"
(code CDR.1026)



minimum quantity
10 pcs

Cleaning machines / Vacuum cleaners

• Inlet accessories for vacuum cleaners

*Adapters, sleeves and accessories
for vacuum cleaners
made of PVC.*

CDR.1038 gr. 85
oz. 3.0

PP vacuum socket



minimum quantity
10 pcs

CDR.1039 gr. 25
oz. 0.9

Rubber gasket,
fo vacuum socket
(code CDR.1038)



minimum quantity
10 pcs

CDR.1009 gr. 50
oz. 1.8

Rigid sleeve with groove,
fixed connections,
for flexible hose
ø32/33 mm-1.26"
(code CDR.1024)



minimum quantity
10 pcs

CDR.1010 gr. 55
oz. 2.0

Rigid sleeve with groove,
swivel connections,
for flexible hose
ø32/33 mm-1.26"
(code CDR.1024)



minimum quantity
10 pcs

CDR.1040 gr. 50
oz. 1.8

Rigid sleeve with groove,
fixed connections,
for flexible hose
ø38 mm-1.50"
(code CDR.1025)



minimum quantity
10 pcs

Cleaning machines / Vacuum cleaners - Accessories for flexible hose $\varnothing 32/33$ mm-1.26"

Adapters, sleeves and accessories
for vacuum cleaners
made of PVC.

CDR.1006 gr. 105 / oz. 3.7

Handle grip with air regulator,
280 mm-11.1",
swivel inlet connection,
for flexible hose
 $\varnothing 32/33$ mm-1.26"
(code CDR.1024)
outlet
 $\varnothing 36$ mm-1.42"



minimum quantity
10 pcs

CDR.1030 gr. 165 / oz. 5.9

Semirigid tool adapter,
for flexible hose,
internal
 $\varnothing 32/33$ mm-1.26"
(code CDR.1024)



minimum quantity
10 pcs

BE CAREFUL !!!



The accessories
for vacuum
cleaners
external $\varnothing 36$ mm-1.42",
are suitable
for flexible hose
internal $\varnothing 32/33$ -1.26"

CDR.1005 gr. 45 / oz. 1.6

Rigid tool adapter,
swivel inlet
connection
for flexible hose
 $\varnothing 32/33$ mm-1.26"
(code CDR.1024)
outlet
 $\varnothing 36$ mm-1.42"



minimum quantity
10 pcs

CDR.1007 gr. 55 / oz. 2.0

Rigid tool adapter,
swivel inlet
connections,
for flexible
hose
internal
 $\varnothing 32/33$ mm
1.26"
(code CDR.1024)
outlet
 $\varnothing 58$ mm-2.29"



minimum quantity
10 pcs

CDR.1008 gr. 45 / oz. 1.6

Rigid tool adapter,
swivel inlet
connections,
for flexible
hose
internal
 $\varnothing 32/33$ mm
1.26"
(code CDR.1024)
outlet
 $\varnothing 58$ mm-2.29",
with pin



minimum quantity
10 pcs

CDR.1009 gr. 50 / oz. 1.8

Sleeve with groove,
fixed inlet
connection
for flexible hose
internal
 $\varnothing 32/33$ mm
1.26"
(code CDR.1024),
suitable for
vacuum socket
(code CDR.1038)



minimum quantity
10 pcs

CDR.1010 gr. 55 / oz. 2.0

Sleeve with groove,
swivel inlet
connection
for flexible hose
internal
 $\varnothing 32/33$ mm
1.26"
(code CDR.1024),
suitable for
vacuum socket
(code CDR.1038)



minimum quantity
10 pcs

CDR.1001 gr. 45 / oz. 1.6

Little nozzle,
140 mm,
inlet $\varnothing 36$ mm-1.42"



minimum quantity
10 pcs

CDR.1002 gr. 40 / oz. 1.5

Dusting brush,
inlet $\varnothing 36$ mm-1.42"



minimum quantity
10 pcs

CDR.1003 gr. 30 / oz. 1.1

Crevice tool,
210 mm-8.28",
inlet $\varnothing 36$ mm-1.42"



minimum quantity
10 pcs

CDR.1004 gr. 120 / oz. 4.3

Extension wand,
500 mm-19.7",
 $\varnothing 36$ mm-1.42"



minimum quantity
10 pcs

Cleaning machines / Vacuum cleaners

• Accessories for flexible hose $\varnothing 38$ mm-1.5"

Adapters, sleeves and accessories
for vacuum cleaners
made of PVC.

CDR.1019 gr. 140 / oz. 5.0

Handle grip with air regulator, 300 mm-11.9", swivel inlet connection, for flexible hose $\varnothing 38$ mm-1.5" (code CDR.1025) outlet $\varnothing 45$ mm-1.78"



minimum quantity
10 pcs

CDR.1031 gr. 50 / oz. 1.8

Semirigid tool adapter, for flexible hose, internal $\varnothing 38$ mm-1.5" (code CDR.1025)



minimum quantity
10 pcs

CDR.1020 gr. 70 / oz. 2.5

Rigid tool adapter, swivel inlet connection for flexible hose $\varnothing 38$ mm-1.5" (code CDR.1025) outlet $\varnothing 45$ mm-1.78"



minimum quantity
10 pcs

BE CAREFUL !!!



The accessories for vacuum cleaners, external $\varnothing 45$ mm-1.78" are suitable for flexible hoses internal $\varnothing 38$ mm-1.5"

CDR.1021 gr. 70 / oz. 2.5

Rigid tool adapter, swivel inlet connections, for flexible hose internal $\varnothing 38$ mm-1.5" (code CDR.1025) outlet $\varnothing 52$ mm-2.05"



minimum quantity
10 pcs

CDR.1022 gr. 50 / oz. 1.8

Rigid tool adapter, swivel inlet connections, for flexible hose internal $\varnothing 38$ mm-1.5" (code CDR.1025) outlet $\varnothing 52$ mm-2.05", with pin



minimum quantity
10 pcs

CDR.1023 gr. 45 / oz. 1.6

Rigid tool adapter inlet $\varnothing 45$ mm-1.78" outlet $\varnothing 36$ mm-1.42"



minimum quantity
10 pcs

CDR.1049 gr. 40 / oz. 1.5

Rigid tool adapter inlet $\varnothing 45$ mm-1.78" outlet $\varnothing 32$ mm-1.26"



minimum quantity
10 pcs

CDR.1016 gr. 65 / oz. 2.3

Dusting brush, inlet $\varnothing 45$ mm-1.78"



minimum quantity
10 pcs

CDR.1017 gr. 70 / oz. 2.5

Rigid crevice tool, 250 mm-9.85", inlet $\varnothing 45$ mm-1.78"



minimum quantity
10 pcs

CDR.1417 gr. 70 / oz. 2.5

Semirigid crevice tool, 250 mm-9.85", inlet $\varnothing 45$ mm-1.78"



minimum quantity
10 pcs

CDR.1018 gr. 155 / oz. 5.5

Extension wand, 500 mm-19.7", $\varnothing 45$ mm-1.78"



minimum quantity
10 pcs

Cleaning machines / Vacuum cleaners

• Accessories for flexible hose $\varnothing 50$ mm-1.97"

Adapters, sleeves and accessories
for vacuum cleaners
made of PVC.

CDR.1290 gr. 50 / oz. 1.8

Rigid tool adapter inlet $\varnothing 51,5$ mm-2.03" outlet $\varnothing 57$ mm-2.25"



minimum quantity
10 pcs

CDR.1289 gr. 80 / oz. 2.8

Dusting brush, inlet $\varnothing 51,5$ mm-2.03"



minimum quantity
10 pcs

CDR.1088 gr. 90 / oz. 3.2

Crevice tool, 250 mm-9.85", inlet $\varnothing 51,5$ mm-2.03"



minimum quantity
10 pcs

BE CAREFUL !!!



The accessories for vacuum cleaners, external $\varnothing 51,5$ mm-2.03" are suitable for flexible hoses internal $\varnothing 50$ mm-1.97"

Cleaning machines / Vacuum cleaners

• Multi-function nozzles 300 mm \varnothing 32 mm-1.26"

Multi-function professional nozzles
made of shock-proof
material.

CDR.1011 gr. 185 / oz. 6.6

Multi-function nozzle 300 mm-11.82",
inlet \varnothing 36 mm-1.42,
with castors and
quick connection
for cleaning brush



CDR.1012 gr. 190 / oz. 6.7

Multi-function nozzle 300 mm-11.82",
inlet \varnothing 45 mm-1.78",
with castors
and quick connection
for cleaning brush



CDR.1013 gr. 150 / oz. 5.3

FLOOR cleaning brush,
for multi-function nozzle 300 mm-11.82"
(code CDR.1011-CDR.1012)



CDR.1014 gr. 115 / oz. 4.1

LIQUID SUCTION cleaning brush,
for multi-function nozzle 300 mm-11.82"
(code CDR.1011-CDR.1012)



CDR.1015 gr. 145 / oz. 5.2

CARPETS cleaning brush,
for multi-function nozzle 300 mm-11.82"
(code CDR.1011-CDR.1012)



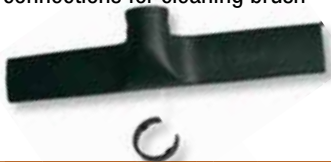
Cleaning machines / Vacuum cleaners

• Nozzle multi-function 400 mm \varnothing 38 mm-1.5"

Multi-function professional nozzles
made of shock-proof
material.

CDR.1041 gr. 150 / oz. 5.3

Multi-function nozzle 400 mm-15.8",
only body, with castors and
quick connections for cleaning brush



CDR.1042 gr. 25 / oz. 0.9

Adapter fitting Ghibli,
outlet \varnothing 38 mm-1.5", for multi-function nozzle
(code CDR.1011-CDR.1012-CDR.1041)



CDR.1043 gr. 40 / oz. 1.5

Adapter fitting Lavor,
outlet \varnothing 38 mm-1.5", for multi-function nozzle
(code CDR.1011-CDR.1012-CDR.1041)



CDR.1044 gr. 175 / oz. 6.2

FLOOR cleaning brush,
for multi-function nozzle 400 mm-15.8"
(code CDR.1041)



CDR.1045 gr. 145 / oz. 5.2

LIQUID SUCTION cleaning brush,
for multi-function nozzle 400 mm-15.8"
(code CDR.1041)



CDR.1046 gr. 165 / oz. 5.9

CARPETS cleaning brush,
for multi-function nozzle 400 mm-15.8"
(code CDR.1041)



Cleaning machines / Vacuum cleaners

• Multi-function nozzles

CDR.1048 gr. 400 / oz. 14.2

Multi-function nozzles, 270 mm-10.7",
top of the body shock-proof material
bottom of the body
steel with velvets and strip,
inlet \varnothing 32 mm-1.26"



CDR.1047 gr. 410 / oz. 14.5

Multi-function nozzles, 270 mm-10.7",
top of the body shock-proof material
bottom of the body
steel with velvets and strip,
inlet \varnothing 36 mm-1.42"



Cleaning machines / Carpet cleaners

• Carpet cleaner accessories

CDR.1199 gr. 900 / oz. 31.8

Flexible hose 1,7 m-5.58',
 ø32 mm-1.26" inlet,
 complete with handle grip
 with air regulator
 and trigger for the flow
 of the detergent



*PVC flexible hose with steel covered spiral
 and integrated polyurethane hose for flow of detergents.*

CDR.1200 gr.190 / oz. 6.7

Rigid extension hose 440 mm-15.76",
 ø37 mm-1.46",
 for code CDR.1199



Made of PVC

CDR.1201 gr. 300 / oz. 10.6

Carpet cleaners little nozzle 240 mm-9.45",
 ø37 mm-1.46", for code CDR.1200



*Complete with variable angle nozzle
 for detergent, 110°, flow rate 03*

CDR.1202 gr. 140 / oz. 5.0

Armchair little nozzle 90 mm-3.55",
 ø37 mm-1.46",
 for code CDR.1199



*Complete with variable angle nozzle
 for detergent, 110°, flow rate 02*

CDR.1203 gr. 80 / oz. 2.9

Frame with strip and squeegees
 for code CDR.1201



Cleaning machines / Carpet cleaners

• Carpet cleaner motor-pump

CDR.0503 gr. 460 / oz. 5.7

Carpet cleaner pump fitting Soteco,
 230 V, 50 Hz,
 inlet ø7,5 mm,
 outlet ø14 mm / G 1/8" M
 max 7 bar-100 psi,
 for ON and OFF use



*Inlet and outlet hose-barb made of plastic and O-Ring in VITON.
 Suitable for carpet cleaners fitting Soteco.*

CDR.0504 gr. 460 / oz. 5.7

Carpet cleaner pump fitting Ghibli,
 230 V, 50 Hz,
 inlet ø7,5 mm,
 outlet ø14 mm / G 1/8" M,
 max 4 bar-100 psi,
 for continuous use



*Inlet and outlet hose-barb made of plastic and O-Ring in VITON.
 Suitable for carpet cleaners fitting Ghibli.*

Cleaning machines / Scrubber driers

• Scrubber driers flexible hose

CDR.1204 gr. 4600 / oz. 165.2

Flexible spiral hose, 15 m-49.20' in roll,
 ø32 mm-1.26" inlet, ø37 mm-1.46" outlet



*Hose with covered steel hose
 and textile support*

CDR.1205 gr. 5600 / oz. 197.7

Flexible spiral hose, 15 m-49.20' in roll,
 ø38 mm-1.50" inlet, ø44 mm-1.73" outlet



*Hose with covered steel hose
 and textile support*

CDR.1206 gr. 3660 / oz. 129.2

Flexible spiral hose, 15 m-49.20' in roll,
 ø50 mm inlet, ø57 mm outlet



*Hose with covered steel hose
 and textile support*

CDR.1207 gr. 65 / oz. 2.3

Semi-rigid adapter with thread,
 for flexible spiral hose
 ø32 mm-1.26"
 (code CDR. 1204)



CDR.1208 gr. 70 / oz. 2.5

Semi-rigid adapter with thread,
 for flexible spiral hose
 ø38 mm 1.50"
 (code CDR. 1205)



CDR.1209 gr. 105 / oz. 3.8

Semi-rigid adapter with thread,
 for flexible spiral hose
 ø50 mm-1.97"
 (code CDR. 1206)



Cleaning machines / Scrubber driers Floor machines

• Pads

WHITE	BEIGE	RED	BLUE	GREEN	BROWN	BLACK
FINISHING	POLISHING	SPRAY BUFFING	LIGHT CLEANING ACTION	INTERMEDIATE CLEANING ACTION	DRY AND WET STRIPPING	WET STRIPPING
						
NYLON POLYESTER	NYLON POLYESTER	POLYESTER	NYLON POLYESTER	NYLON	NYLON	NYLON
<i>Non-abrasive pad, suitable to polish untreated floors and high gloss finishing. Use dry.</i>	<i>To polish all kinds of floor. Use dry.</i>	<i>For frequent use on relatively clean floors. To dry clean, polish and remove cuff marks.</i>	<i>Light wax removal or spray washing.</i>	<i>Wet scrubbing operation to remove all dirty finish and to obtain floors ready for recoating.</i>	<i>Aggressive pad for dry and wet stripping. Very durable. Acid resistant.</i>	<i>Wet stripping for normal or heavy layers of wax, to completely remove old floor finish and scuff marks.</i>

ø10.0" / 254 mm (10 discs per box)						
CDR.1101	CDR.1111	CDR.1121	CDR.1131	CDR.1141	CDR.1151	CDR.1161
ø10.5" / 265 mm (10 discs per box)						
CDR.1102	CDR.1112	CDR.1122	CDR.1132	CDR.1142	CDR.1152	CDR.1162
ø11.0" / 280 mm (10 discs per box)						
CDR.1103	CDR.1113	CDR.1123	CDR.1133	CDR.1143	CDR.1153	CDR.1163
ø12.0" / 305 mm (5 discs per box)						
CDR.1104	CDR.1114	CDR.1124	CDR.1134	CDR.1144	CDR.1154	CDR.1164
ø13.0" / 330 mm (5 discs per box)						
CDR.1105	CDR.1115	CDR.1125	CDR.1135	CDR.1145	CDR.1155	CDR.1165
ø13.5" / 340 mm (5 discs per box)						
CDR.1106	CDR.1116	CDR.1126	CDR.1136	CDR.1146	CDR.1156	CDR.1166
ø14.0" / 356 mm (5 discs per box)						
CDR.1107	CDR.1117	CDR.1127	CDR.1137	CDR.1147	CDR.1157	CDR.1167
ø15.0" / 381 mm (5 discs per box)						
CDR.1108	CDR.1118	CDR.1128	CDR.1138	CDR.1148	CDR.1158	CDR.1168
ø16.0" / 406 mm (5 discs per box)						
CDR.1109	CDR.1119	CDR.1129	CDR.1139	CDR.1149	CDR.1159	CDR.1169
ø17.0" / 431 mm (5 discs per box)						
CDR.1110	CDR.1120	CDR.1130	CDR.1140	CDR.1150	CDR.1160	CDR.1170
ø18.0" / 457 mm (5 discs per box)						
CDR.1171	CDR.1175	CDR.1179	CDR.1183	CDR.1187	CDR.1191	CDR.1195
ø19.0" / 483 mm (5 discs per box)						
CDR.1172	CDR.1176	CDR.1180	CDR.1184	CDR.1188	CDR.1192	CDR.1196
ø20.0" / 508 mm (5 discs per box)						
CDR.1173	CDR.1177	CDR.1181	CDR.1185	CDR.1189	CDR.1193	CDR.1197
ø21.0" / 533 mm (5 discs per box)						
CDR.1174	CDR.1178	CDR.1182	CDR.1186	CDR.1190	CDR.1194	CDR.1198

The range of professional discs here listed is indicative and it summarizes discs by size and kind of material, the most common on the cleaning world. If you need discs with different sizes and / or kind of material not mentioned here, please, feel free to

CONTACT US

P/B**BEIGE PARA**

It is used for some back Dolly squeegees fitting Comac.
Para that we use has a thickness from 3 mm-0.12" to 10 mm-0.39" and temperature resistance from -10 °C(50 °F) to +60 °C (140 °F).

P/R**RED PARA**

It is used for some back Dolly squeegees fitting Comac.
Para that we use has a thickness from 3 mm-0.12" to 10 mm-0.39" and temperature resistance from -10 °C(50 °F) to +60 °C (140 °F).

PU/T**TRANSPARENT POLYURETHANE (PU)**

It is used for some front Dolly squeegees fitting Comac.
Polyurethane that we use has a thickness from 3 mm-0.12" to 8 mm-0.32" and temperature resistance from -30 °C (85 °F) to +70 °C (160 °F).

**Dolly squeegees fitting:
COMAC**

Code	Description	Sizes L x H x P	Material																					
				Abila 17	Abila 42	Abila 52	C 45 E	CB 40	CB 50	Media 22 E	Media 22 B	Media 26 B	Ominia 22 E	Ominia 22 B	Ominia 26	Ominia 28	Ominia 32	Simplex 45 E	Simplex 45 B	Simplex 45 BT	Simplex 45 BS	Simplex 50 B	Simplex 50 BT	Simplex 50 BS
CDR.1050-F	Dolly squeegee - front	667 x 45 mm 26.23" x 1.77"	PU/T	•	•	•	•										•	•	•	•				
CDR.1050-B	Dolly squeegee - back	681 x 45 x 4 mm 26.83" x 1.77" x 0.16"	P/R	•	•	•	•										•	•	•	•				
CDR.1050-S	Dolly squeegee - support	684 x 34 mm 26.95" x 1.34"	PU/T	•	•	•	•										•	•	•	•				
CDR.1051-F	Dolly squeegee - front	767 x 45 mm 30.22" x 1.77"	PU/T			•			•												•	•	•	•
CDR.1051-B	Dolly squeegee - back	781 x 45 x 4 mm 30.77" x 1.77"	P/B			•			•												•	•	•	•
CDR.1051-S	Dolly squeegee - support	784 x 34 mm 30.89" x 1.34"	PU/T			•			•												•	•	•	•
CDR.1052-F	Dolly squeegee - front	810 x 45 mm 31.91" x 1.77"	PU/T							•	•			•	•									
CDR.1052-B	Dolly squeegee - back	848 x 95 x 6 mm 33.41" x 3.74" x 0.24"	P/B							•	•			•	•									
CDR.1053-F	Dolly squeegee - front	912 x 45 mm 35.93" x 1.77"	PU/T											•										
CDR.1053-B	Dolly squeegee - back	952 x 95 x 6 mm 37.51" x 3.74" x 0.24"	P/B											•										
CDR.1054-F	Dolly squeegee - front	1026 x 45 mm 40.42" x 1.77"	PU/T														•	•						
CDR.1054-B	Dolly squeegee - back	1052 x 95 x 6 mm 41.45" x 3.74" x 0.24"	P/R														•	•						
CDR.1055-F	Dolly squeegee - front	1134 x 45 mm 44.68" x 1.77"	PU/T																•					
CDR.1055-B	Dolly squeegee - back	1156 x 95 x 6 mm 45.55" x 3.74" x 0.24"	P/R																•					

P/W**L/R****WHITE PARA**

It is used for some back Dolly squeegees fitting Comac. Para that we use has a thickness from 3 mm-0.12" to 10 mm-0.39" and temperature resistance from -10 °C(50 °F) to +60 °C (140 °F).

**RED LEENATEX**

It is used for some front and back Dolly squeegees fitting Floor.

**Dolly squeegees fitting:
FLOOR**

Code	Description	Sizes L x H x P	Material			
				PANTHER 70	SHARK 54	SHARK 57
CDR.1060-F	Dolly squeegee - front	895 x 54 x 3 mm 35.26" x 2.13" x 0.12"	P/W		•	•
CDR.1060-B	Dolly squeegee - back	890 x 54 x 3 mm 35.07" x 2.13" x 0.12"	L/R		•	•
CDR.1061-F	Dolly squeegee - front	1020 x 54 x 3 mm 40.19" x 2.13" x 0.12"	L/R	•		
CDR.1061-B	Dolly squeegee - back	1010 x 54 x 3 mm 39.79" x 2.13" x 0.12"	L/R	•		

P/R

RED PARA



It is used for some back Dolly squeegees fitting Fimap. Para that we use has a thickness from 3 mm-0.12" to 10 mm-0.39" and temperature resistance from -10 °C(50 °F) to +60 °C (140 °F).

PU/T

TRANSPARENT POLYURETHANE (PU)



It is used for some front Dolly squeegees fitting Fimap. Polyurethane that we use has a thickness from 3 mm-0.12" to 8 mm-0.32" and temperature resistance from -30 °C (85 °F) to +70 °C (160 °F).

**Dolly squeegees fitting:
FIMAP**

Code	Description	Sizes L x H x P	Material	Gamma 45 E	Gamma 50 E	Gamma 56	Gamma 65	Gamma 66	Maxima 45 BS	Maxima 45 BST	Maxima 50 BS	Maxima 50 BST	Maxima 450 B	Maxima 450 BT	Maxima 452 B	Maxima 452 BT	Maxima 500 B	Maxima 500 BT	Maxima 502 B	Maxima 502 BT	Mimny 420	Mimny 430	Mimny 520	Valida 66
CDR.1056-F	Dolly squeegee - front	670 x 45 mm 26.40" x 1.77"	PU/T	•									•	•	•	•					•	•	•	
CDR.1056-B	Dolly squeegee - back	685 x 45 x 4 mm 27.00" x 1.77" x 0.16"	P/R	•									•	•	•	•					•	•	•	
CDR.1056-S	Dolly squeegee - support	885 x 32 mm 34.90" x 1.26"	PU/T	•									•	•	•	•					•	•	•	
CDR.1057-F	Dolly squeegee - front	770 x 45 mm 30.34" x 1.77"	PU/T	•					•	•	•	•					•	•	•	•	•	•	•	•
CDR.1057-B	Dolly squeegee - back	795 x 45 x 4 mm 31.32" x 1.77" x 0.16"	P/B	•					•	•	•	•					•	•	•	•	•	•	•	•
CDR.1057-S	Dolly squeegee - support	790 x 32 mm 31.13" x 1.26"	PU/T	•					•	•	•	•					•	•	•	•	•	•	•	•
CDR.1058-F	Dolly squeegee - front	885 x 45 mm 34.87" x 1.77"	PU/T		•																			
CDR.1058-B	Dolly squeegee - back	915 x 95 x 6 mm 36.05" x 3.74" x 0.24"	P/B			•																		
CDR.1059-F	Dolly squeegee - front	1030 x 45 mm 40.58" x 1.77"	PU/T				•	•																•
CDR.1059-B	Dolly squeegee - back	1055 x 95 x 6 mm 41.57" x 3.74" x 0.24"	P/R				•	•																•

P/B

BEIGE PARA



It is used for some back Dolly squeegees fitting Tennant. Para that we use has a thickness from 3 mm-0.12" to 10 mm-0.39" and temperature resistance from -10 °C(50 °F) to +60 °C (140 °F).

L/R

RED LEENATEX



It is used for some front Dolly squeegees fitting Tennant.

**Dolly squeegees fitting:
TENNANT**

Code	Description	Sizes L x H x P	Material	5100	5300	5700 (700)	5700 (800)	5700 (900)
CDR.1093-F	Dolly squeegee - front	670 x 58 x 3 mm 26.40" x 2.29" x 0.12"	L/R	•				
CDR.1093-B	Dolly squeegee - back	683 x 79 x 5 mm 26.91" x 3.11" x 0.20"	P/B	•				
CDR.1094-F	Dolly squeegee - front	763 x 46 x 3 mm 30.06" x 1.81" x 0.12"	L/R		•			
CDR.1094-B	Dolly squeegee - back	808 x 70 x 5 mm 31.84" x 2.76" x 0.20"	P/B		•			
CDR.1095-F	Dolly squeegee - front	990 x 50 x 3 mm 39.00" x 1.97" x 0.12"	L/R			•		
CDR.1095-B	Dolly squeegee - back	1040 x 51 x 6 mm 40.98" x 2.00" x 0.24"	P/B			•		
CDR.1096-F	Dolly squeegee - front	1115 x 50 x 3 mm 43.93" x 1.97" x 0.12"	L/R				•	
CDR.1096-B	Dolly squeegee - back	1160 x 51 x 6 mm 45.70" x 2.00" x 0.24"	P/B				•	
CDR.1097-F	Dolly squeegee - front	1225 x 50 x 3 mm 48.26" x 1.97" x 0.12"	L/R					•
CDR.1097-B	Dolly squeegee - back	1255 x 51 x 6 mm 49.45" x 2.00" x 0.24"	P/B					•

PVC

YELLOW PVC

It is used for some front Dolly squeegees fitting Gansow. PVC that we use has a thickness of 3 mm-0.12" and a temp. resistance from -10 °C(50 °F) to +60 °C (140 °F).

P/LB

LIGHT BEIGE PARA

It is used for some back Dolly squeegees fitting Gansow. Para that we use has a thickness from 3 mm-0.12" to 10 mm-0.39" and a temp. resistance from -10 °C(50 °F) to +60 °C (140 °F).

**Dolly squeegees fitting:
GANSOW**

Code	Description	Sizes L x H x P	Material															
				26 B 46	40 B 53	62 B 53	62 B 55	62 BF 53	62 BF 65	70 BF 70	70 BF 85	88 BF 70	88 BF 85	97 BF 70	97 BF 85	119 BF 70	119 BF 85	
CDR.1063-F	Dolly squeegee - front	792 x 56,5 x 3 mm 31.20" x 2.23 x 0.12"	PVC	●														
CDR.1063-B	Dolly squeegee - back	800 x 66 x 7 mm 31.52" x 2.60 x 0.28"	P/LB	●														
CDR.1064-F	Dolly squeegee - front	890 x 56,5 x 3 mm 35.07" x 2.23 x 0.12"	PVC	●														
CDR.1064-B	Dolly squeegee - back	890 x 65 x 6 mm 35.07" x 2.56 x 0.24"	P/LB	●														
CDR.1065-F	Dolly squeegee - front	953 x 55 x 3 mm 37.55" x 2.17 x 0.12"	PVC		●	●	●	●										
CDR.1065-B	Dolly squeegee - back	970 x 65 x 6 mm 38.22" x 2.56 x 0.24"	P/LB		●	●	●	●										
CDR.1066-F	Dolly squeegee - front	1050 x 56,5 x 3 mm 41.37" x 2.23 x 0.12"	PVC															●
CDR.1066-B	Dolly squeegee - back	1050 x 66 x 6 mm 41.37" x 2.60 x 0.24"	P/LB											●	●	●	●	●
CDR.1067-F	Dolly squeegee - front	1190 x 56,5 x 3 mm 46.89" x 2.23 x 0.12"	PVC															●
CDR.1067-B	Dolly squeegee - back	1190 x 56 x 6 mm 46.89" x 2.21 x 0.24"	P/LB															●

EPDM

BLACK EPDM

It is used for some Dolly squeegees fitting Nilfisk-Advance. EPDM that we used has a thickness from 2 mm-0.08" to 3 mm-0.12" and temperature resistance from -30°C (85°F) to +70°C (160°F).

R/B

BLACK RUBBER

It is used for front Dolly squeegees fitting Nilfisk-Advance. Rubber that we used has a thickness from 2 mm-0.08" to 3 mm-0.12" and temperature resistance from -10°C (50°F) to +60°C (140°F).

P/GY


GREY PARA

It is used for some back Dolly squeegees fitting Nilfisk-Advance. Para that we used has a thickness from 3 mm-0.12" to 8 mm-0.32" and temperature resistance from -10°C (50°F) to +60°C (140°F).

**Dolly squeegees fitting:
NILFISK-ADVANCE**


Code	Description	Sizes L x H x P	Material															
				BA 430 S	BA 450	BA 510 S	BA 530	BA 600 S	BA 600 SC	BA 650 S	BA 750 S	CA 430 S	CA 450	CA 510 S				
CDR.1072-F	Dolly squeegee - front	830 x 60 x 4 mm 32.70" x 2.36" x 0.16"	EPDM	●	●	●	●											
CDR.1072-B	Dolly squeegee - back	795 x 60 x 2 mm 31.32" x 2.36" x 0.08"	P/GY	●	●	●	●							●	●	●		
CDR.1073-F	Dolly squeegee - front	880 x 60 x 3 mm 34.67" x 2.36" x 0.12"	R/B					●	●	●								
CDR.1073-B	Dolly squeegee - back	918 x 60 x 4 mm 36.17" x 2.36" x 0.16"	P/GY					●	●	●								
CDR.1073-SG	Dolly squeegee - s.g.	147 x 44 x 4 mm 5.79" x 1.73" x 0.16"	P/GY					●	●	●								
CDR.1074-F	Dolly squeegee - front	960 x 60 x 3 mm 37.82" x 2.36" x 0.12"	R/B											●				
CDR.1074-B	Dolly squeegee - back	1000 x 60 x 4 mm 39.40" x 2.36" x 0.16"	P/GY											●				
CDR.1074-SG	Dolly squeegee - s.g.	147 x 44 x 4 mm 5.79" x 1.73" x 0.16"	P/GY											●				

P/B **BEIGE PARA**




It is used for some front Dolly squeegees fitting Cleanfix. Para that we use has a thickness from 3 mm-0.12" to 10 mm-0.39" and a temp. resistance from -10 °C(50 °F) to +60 °C(140 °F).

PU/BL **BLUE (PU) POLYURETHANE**




It is used for front and back Dolly squeegees fitting Cleanfix. Polyurethane that we use has a thickness from 3 mm-0.12" to 8 mm-0.32" and a temp. resistance from -30°C(85 °F) to +70 °C(160 °F).

PU/M **BROWN (PU) POLYURETHANE**



It is used for front Dolly squeegees fitting Cleanfix. Polyurethane that we use has a thickness from 3 mm-0.12" to 8 mm-0.32" and a temp. resistance from -30°C(85 °F) to +70 °C(160 °F).

PU/G **GREEN (PU) POLYURETHANE**




It is used for some front and back Dolly squeegees fitting Cleanfix. Polyurethane that we use has a thickness from 3 mm-0.12" to 8 mm-0.32" and a temp. resistance from -30°C(85 °F) to +70 °C(160 °F).

**Dolly squeegees fitting:
CLEANFIX**


Code	Description	Sizes L x H x P	Material	RA 400 E	RA 410 E	RA 410 B	RA 430 E	RA 430 B	RA 480 E	RA 480 B	RA 530 B	RA 560 B
CDR.1098-I	Dolly squeegee - inside	455 x 32 x 3 mm 17.93" x 1.26" x 0.12"	PU/BL	●	●	●						
CDR.1098-O	Dolly squeegee - outside	455 x 27 x 3 mm 17.93" x 1.06" x 0.12"	PU/G	●	●	●						
CDR.1099-F	Dolly squeegee - front	725 x 46 x 3 mm 28.57" x 1.81" x 0.12"	PU/M				●	●				
CDR.1099-B	Dolly squeegee - back	725 x 46 x 3 mm 28.57" x 1.81" x 0.12"	PU/BL				●	●				
CDR.1100-F	Dolly squeegee - front	800 x 46 x 3 mm 31.52" x 1.81" x 0.12"	PU/M						●	●	●	●
CDR.1100-B	Dolly squeegee - back	800 x 46 x 3 mm 31.52" x 1.81" x 0.12"	P/B						●		●	
CDR.1101-B	Dolly squeegee - back	800 x 46 x 3 mm 31.52" x 1.81" x 0.12"	PU/BL							●		●

P/B **BEIGE PARA**




It is used for some front and back Dolly squeegees fitting Hako. Para that we use has a thickness from 3 mm-0.12" to 10 mm-0.39" and temp. resistance from -10 °C(50 °F) to +60 °C(140 °F).

P/B **GREEN (PU) POLYURETHANE**




It is used for some Dolly squeegees fitting Hako. Polyurethane that we use has a thickness from 3 mm-0.12" to 8 mm-0.32" and a temp. resistance from -30 °C(85 °F) to +70 °C(160 °F).

P/B **GREY PARA**



It is used for some support Dolly squeegees fitting Hako. Para that we use has a thickness from 3 mm-0.12" to 10 mm-0.39" and temp. resistance from -10 °C(50 °F) to +60 °C(140 °F).

P/B **BLUE (PU) POLYURETHANE**



It is used for front and back Dolly squeegees fitting Hako. Polyurethane that we use has a thickness from 3 mm-0.12" to 8 mm-0.32" and a temp. resistance from -30 °C(85 °F) to +70 °C(160 °F).

**Dolly squeegees fitting:
HAKO**

Code	Description	Sizes L x H x P	Material	CLEAN 400 E	CLEAN 400 B	CLEAN 410 E	CLEAN 410 B	B 35	B 450-BM 54	B 450 POWERFLOW	B 530	B 550	B 650	E 35
CDR.1068-I	Dolly squeegee - inside	455 x 27 x 3 mm 17.93" x 1.06" x 0.12"	PU/G	●	●	●	●	●						●
CDR.1068-O	Dolly squeegee - outside	455 x 27 x 3 mm 17.93" x 1.06" x 0.12"	PU/BL	●	●	●	●	●						●
CDR.1069-F	Dolly squeegee - front	950 x 50 x 5 mm 37.43" x 1.97" x 0.20"	P/B								●	●	●	
CDR.1069-B	Dolly squeegee - back	973 x 50 x 5 mm 37.43" x 1.97" x 0.20"	P/B								●	●	●	
CDR.1069-S	Dolly squeegee - support	973 x 40 x 4 mm 37.43" x 1.58" x 0.16"	P/GY								●	●	●	
CDR.1070-F	Dolly squeegee - front	862 x 51 x 5 mm 33.96" x 2.00" x 0.20"	P/B							●				
CDR.1070-B	Dolly squeegee - back	880 x 51 x 5 mm 34.67" x 2.00" x 0.20"	P/B							●				
CDR.1070-S	Dolly squeegee - support	890 x 41 x 4 mm 35.07" x 1.62" x 0.16"	P/GY						●					
CDR.1071-F	Dolly squeegee - front	755 x 50 x 5 mm 29.75" x 1.97" x 0.20"	P/B								●			
CDR.1071-B	Dolly squeegee - back	775 x 50 x 5 mm 30.53" x 1.97" x 0.20"	P/B								●			
CDR.1071-S	Dolly squeegee - support	770 x 41 x 4 mm 30.34" x 1.62" x 0.16"	P/GY						●					



*The copyright[©]
of this catalogue is owned respectively by
IDROBASE[®] Srl, IDROTECH[®] Srl, PERFECT COOL[®] Srl.
It is permitted to read, consult and circulate in hard copy
or electronic format this catalogue for personal use only.
It is not permitted to sell, reproduce
or make any alterations
to this catalogue
without the prior written consent of:
IDROBASE[®] Srl, IDROTECH[®] Srl, PERFECT COOL[®] Srl.
This catalogue replace the previous one
Technical features, prices, data, tables and figures
are just indicative. Any changes can be made
by the company without prior notice*